



Accessory for 3KD size 3 Direct operating mechanism, for front operating mechanism, grey, Standard version can be locked in OFF position with three padlocks

Model	
product brand name	SENTRON
product designation	Accessories for switch disconnectors
design of the product	Direct operating mechanism
type of the driving mechanism	MANUAL OPERATING MECHANISM
protection class IP on the front	IP30
Suitability	
suitability for use	For 3KD, size 3
Appearance	
color of the actuating element	gray
display version for switch position indicator	ON-OFF-TEST
Mechanical Design	
height	100 mm
width	116 mm
depth	77 mm
net weight	337 g
Approvals Certificates	
General Product Approval	Declaration of Conformity


[Confirmation](#)



[Miscellaneous](#)



EG-Konf.

Test Certificates	Marine / Shipping	other	Environment	
<a href="#">Type Test Certificates/Test Report</a>		<a href="#">Miscellaneous</a>	<a href="#">Confirmation</a>	<a href="#">Environmental Confirmations</a>

### Further information

Siemens has decided to exit the Russian market (see here).  
<https://press.siemens.com/global/en/pressrelease/siemens-wind-down-russian-business>

Siemens is working on the renewal of the current EAC certificates.

Please contact your local Siemens office on the status of validity of the EAC certification if you intend to import or offer to supply these products to an EAC relevant market (other than the sanctioned EAEU member states Russia or Belarus).

Information on the packaging

<https://support.industry.siemens.com/cs/ww/en/view/109813875>

Information- and Downloadcenter (Catalogs, Brochures,...)

<http://www.siemens.com/lowvoltage/catalogs>

Industry Mall (Online ordering system)

<https://mall.industry.siemens.com/mall/en/en/Catalog/product?mlfb=3KD9301-1>

Service&Support (Manuals, Certificates, Characteristics, FAQs,...)

<https://support.industry.siemens.com/cs/ww/en/ps/3KD9301-1>

Image database (product images, 2D dimension drawings, 3D models, device circuit diagrams, ...)

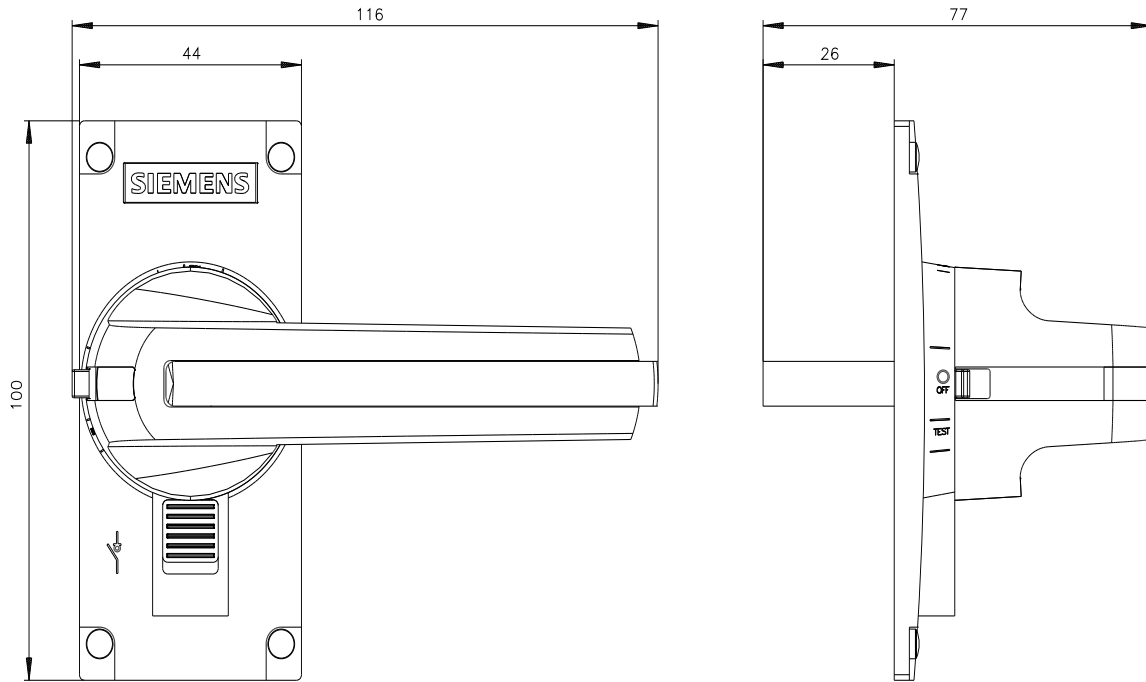
[http://www.automation.siemens.com/bilddb/cax\\_en.aspx?mlfb=3KD9301-1](http://www.automation.siemens.com/bilddb/cax_en.aspx?mlfb=3KD9301-1)

CAX-Online-Generator

<http://www.siemens.com/cax>

Tender specifications

<http://www.siemens.com/specifications>



last modified:

12/19/2020 

